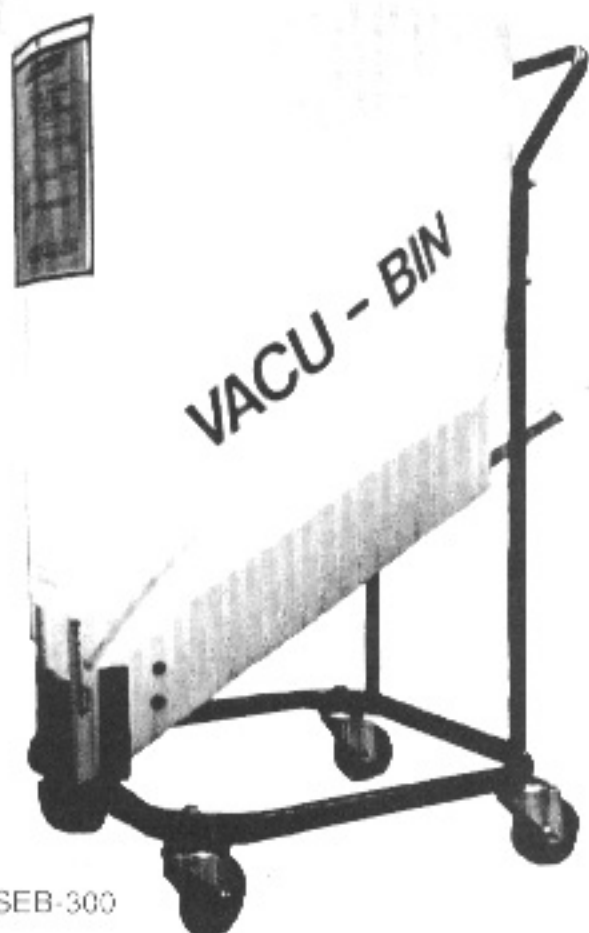


THE ORIGINAL VACU-BIN

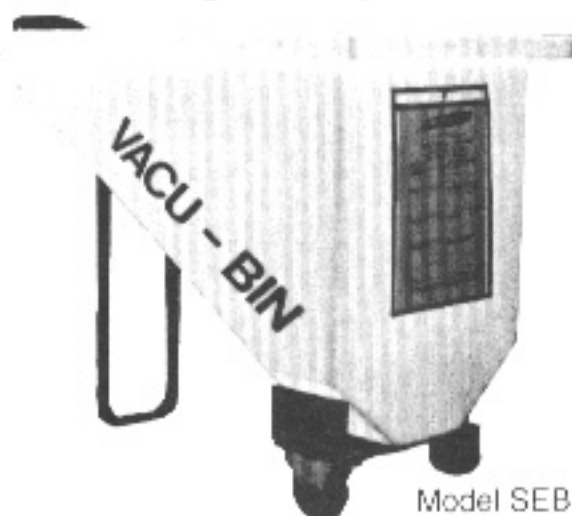
SELF - EMPTYING RESIN HANDLING BINS



Model SEB-300

For use with all vacuum loading systems using pick-up wands

Ergonomic design eliminates physically handling heavy drums



Model SEB-100

Free flow design reduces material bridging and minimizes material handling

Heavy duty construction

Available in 110 lb., 300 lb. and 500 lb. capacities

IDEAL FOR HANDLING:

- Bagged materials
- Masterbatch materials
- Short run resins
- Regrind
- Dusty Materials

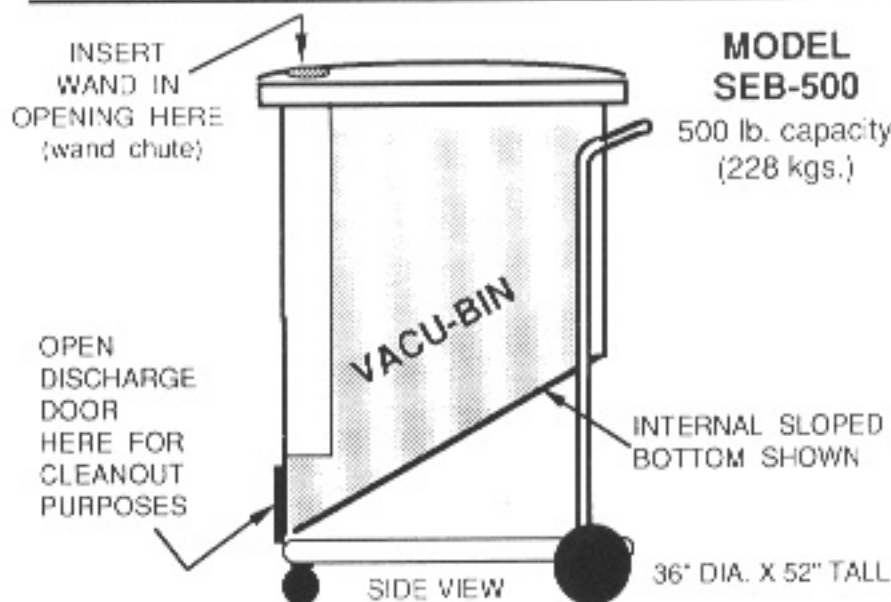
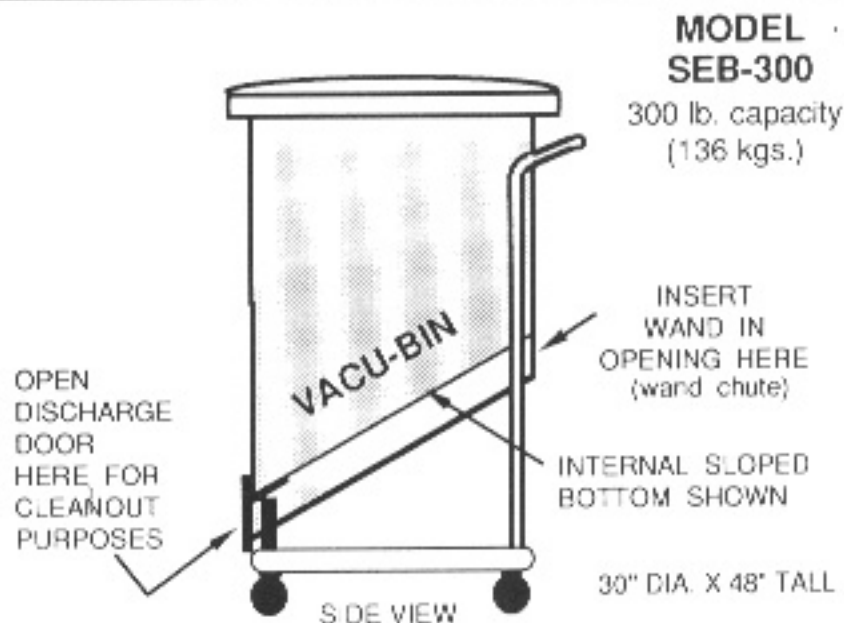
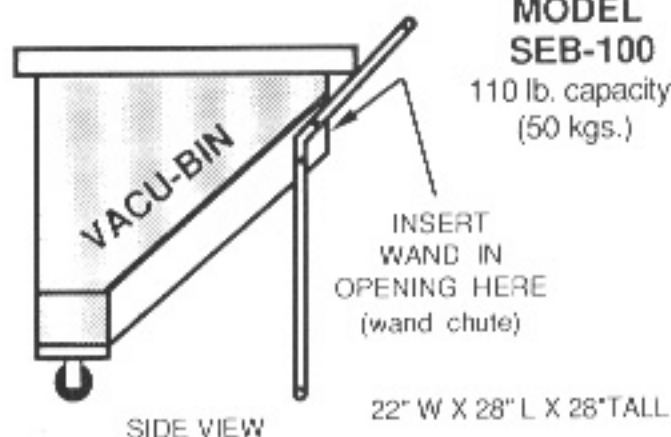
VACU-BIN

SPALTECH INTERNATIONAL

THE ORIGINAL VACU-BIN

VACU-BIN Self - Emptying Resin Handling Bins are specifically designed for use with all types of vacuum loading systems using pickup wands. The vacuum wand is inserted into an angled chute and directed to the lowest point in the bin where material is allowed to enter into the wand chute for pickup by the vacuum wand. Manufactured of polyethylene, all bins are supplied with lids and heavy duty casters. The **VACU-BIN** is now available in three sizes with capacities of approximately 110 lbs. (50 kgs.), 300 lbs.(136 kgs) and 500 lbs.(228 kgs.)

RESIN



TYPICAL APPLICATIONS

- all types of plastic resins and free flowing materials.
- containment of dusty materials
- cleanroom environments
- food industry
- pharmaceutical applications

SPALTECH INTERNATIONAL

7220 West Credit Avenue, Mississauga, Ontario L5N 5N1, Canada
Tel: 905-542-7444 Fax: 905-542-7445 www.spaltech.com

VACU-BIN